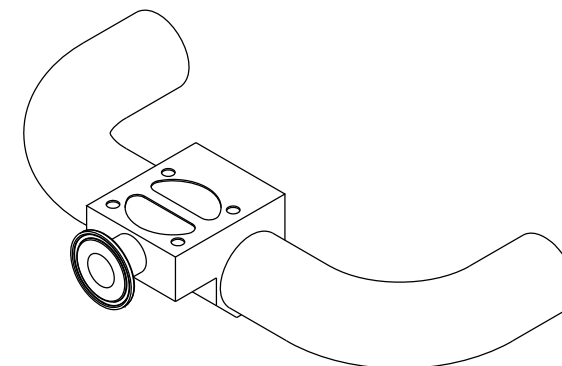
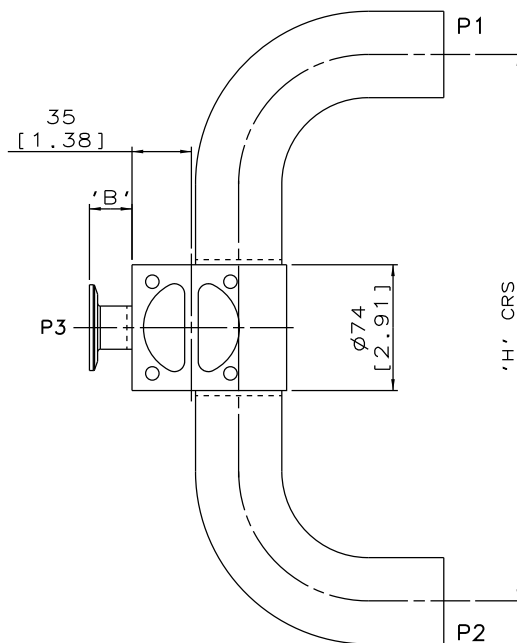


DN80/3.00 TO DN100/4.00  
MAINLINE ONLY



DN25/1.00 TO DN65/2.50  
MAINLINE ONLY

The information on this sheet is Private and Confidential and is the property of Crane Process Flow Technologies Limited and must not be published directly or indirectly in any manner whatsoever without the written permission of the Company and must not be used in any way detrimental to their interests.  
© Crane Process Flow Technologies

**CRANE** Process Flow Technologies  
A Crane Co. Company

**Saunders**  
The Science Inside

Title  
SCHEDULE OF LEADING DIMENSIONS FOR DN25/1.00  
WEIR POINT OF USE 'T' BODY COMPLETE WITH :  
MAINLINE : BUTT WELD OD TUBE ENDS  
BRANCH : DN25/1.00 HYGIENIC CLAMP END

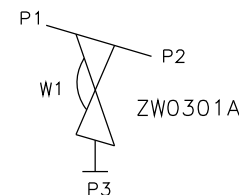
Drawn RI Date 14.10.11

UNCONTROLLED IN  
HARD COPY FORMAT

Checked RND Date 21.03.12

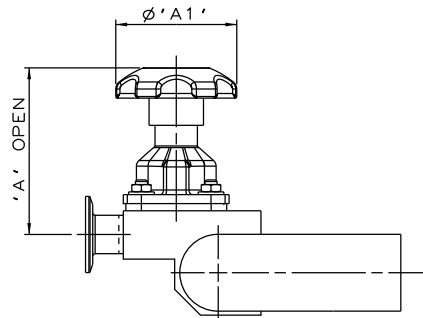
First Angle Projection Method E

Drawing No.  
WEB-044 Issue.  
2

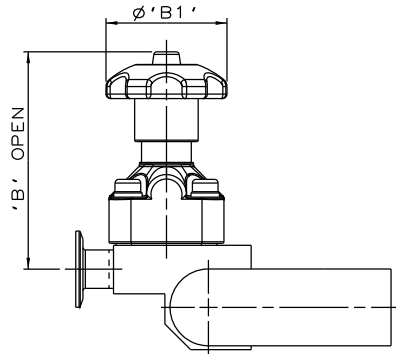


ORIENTATION AS  
PER P&ID DIAGRAM  
FOR OPTIMUM  
DRAINABILITY.

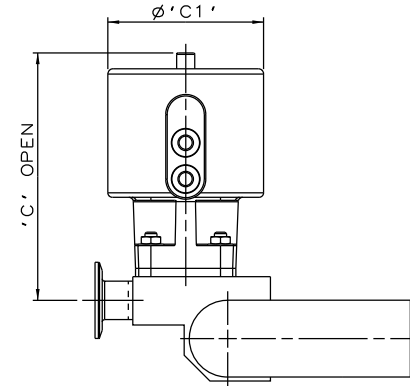
MAINLINE SIZE		A		B		C		D		$\phi E$		$\phi F$		G		H		BODY WEIGHT
mm	inch	mm	inch	mm	inch	mm	inch	mm	inch	mm	inch	mm	inch	mm	inch	mm	inch	Kgs
DN25	1.00	76.2	3.00	25.0	0.98	15.1	0.59	26.0	1.02	25.4	1.00	22.1	0.87	15.7	0.62	232.4	9.15	1.6
DN40	1.50	95.3	3.75	25.0	0.98	21.4	0.84	35.0	1.38	38.1	1.50	34.8	1.37	15.7	0.62	270.6	10.65	1.8
DN50	2.00	120.7	4.75	25.0	0.98	27.8	1.09	41.0	1.61	50.8	2.00	47.5	1.87	15.7	0.62	321.4	12.65	2.4
DN65	2.50	139.8	5.50	25.0	0.98	34.1	1.34	45.0	1.77	63.5	2.50	60.2	2.37	15.7	0.62	359.6	14.16	3.0
DN80	3.00	158.8	6.25	25.0	0.98	40.5	1.59	49.5	1.95	76.2	3.00	72.9	2.87	15.7	0.62	411.6	16.20	3.3
DN100	4.00	203.2	8.00	25.0	0.98	52.8	2.08	56.0	2.20	101.6	4.00	97.38	3.83	15.7	0.62	500.4	19.70	5.5



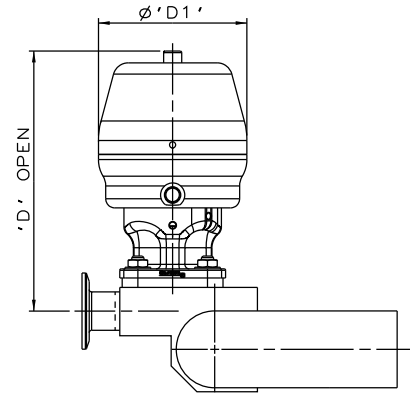
SS NON SEALED  
BONNET ASSEMBLY



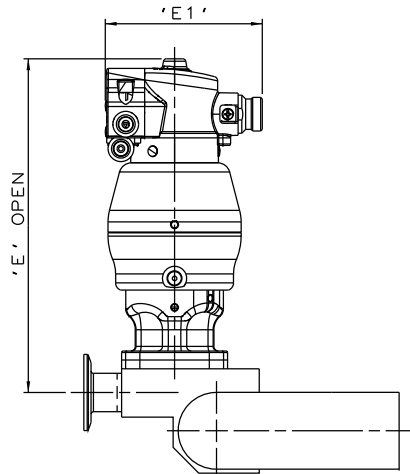
PES BONNET  
ASSEMBLY



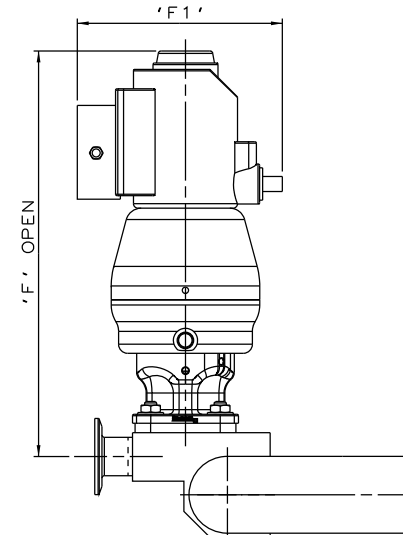
EC ACTUATOR  
(ALL MODES)



\*S360 ACTUATOR



\*S360 ACTUATOR  
WITH M-VUE SENSOR



\*S360 ACTUATOR  
WITH I-VUE SENSOR

The information on this sheet is Private and Confidential and is the property of Crane Process Flow Technologies Limited and must not be published directly or indirectly in any manner whatsoever without the written permission of the Company and must not be used in any way detrimental to their interests.  
© Crane Process Flow Technologies

**CRANE** Process Flow Technologies  
A Crane Co. Company

**Saunders**  
The Science Inside

Title SCHEDULE OF LEADING DIMENSIONS FOR DN25/1.00  
WEIR POINT OF USE 'T' BODY COMPLETE WITH :  
MAINLINE : BUTT WELD OD TUBE ENDS  
BRANCH : DN25/1.00 HYGIENIC CLAMP END  
FITTED WITH TOPWORKS OPTIONS

Drawn JRD Date 15.09.16

Checked RND Date 15.09.16

UNCONTROLLED IN  
HARD COPY FORMAT

First Angle  
Projection Method E

DO  
NOT  
SCALE

Drawing No.  
WEB-044-ASSY

Issue.  
1

\*DIMENSIONS SHOW MAXIMUM ENVELOPE FOR ALL MODES

BRANCH	SIZE	A		A1		B		B1		C		C1		D		D1		E		E1		F		F1	
mm	inch	mm	inch	mm	inch	mm	inch	mm	inch	mm	inch	mm	inch	mm	inch	mm	inch	mm	inch	mm	inch	mm	inch	mm	inch
DN25	1.00	110	4.33	80	3.15	144	5.67	80	3.15	164	6.46	103	4.06	172	6.77	98.0	3.86	232.7	9.16	103.8	4.09	268	10.55	135.5	5.33